

# Abgen

Trusted LED Supplier



# VENUS Series

VN3.9Pro | VN4.8 Pro | VN4.8 | VN8.3

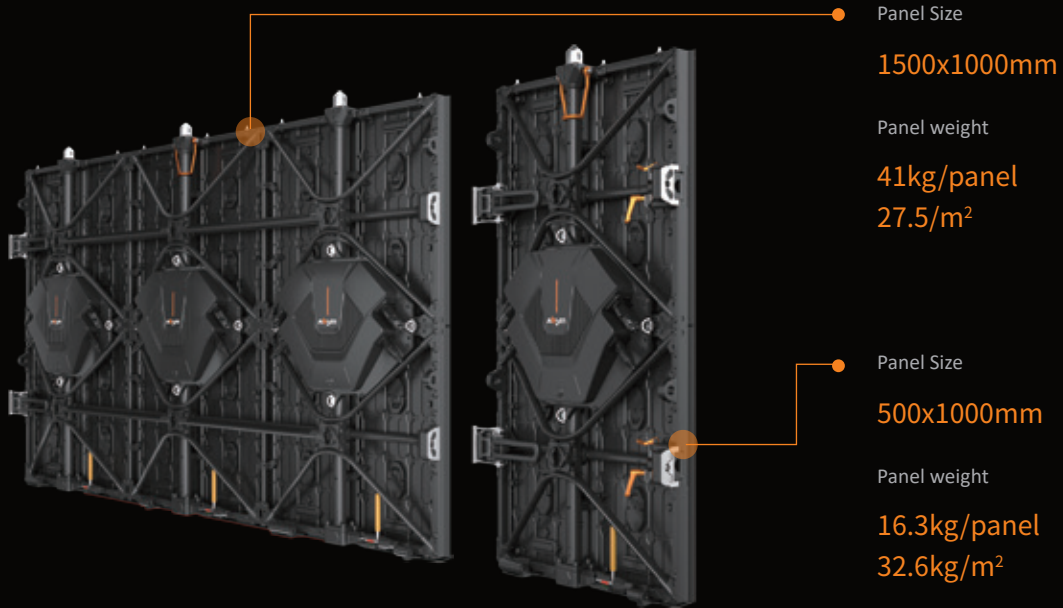




## Light weight

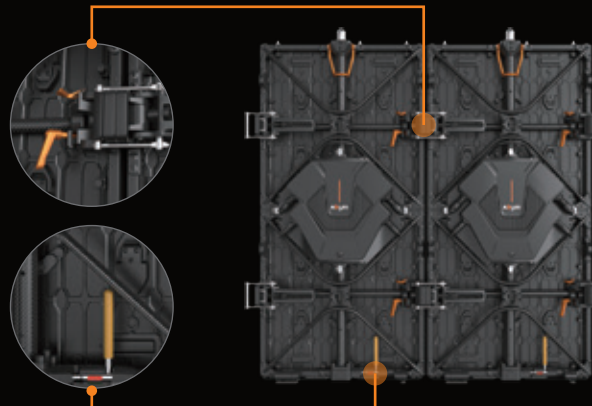
The main application is the 1500\*1000mm frame, which is light-weight , allowing fast installation.

500\*1000mm frames offer ability to create perfect curves.



## Sturdy installation

Frame and vertical lock are strong enough to hold 20m high LED wall.

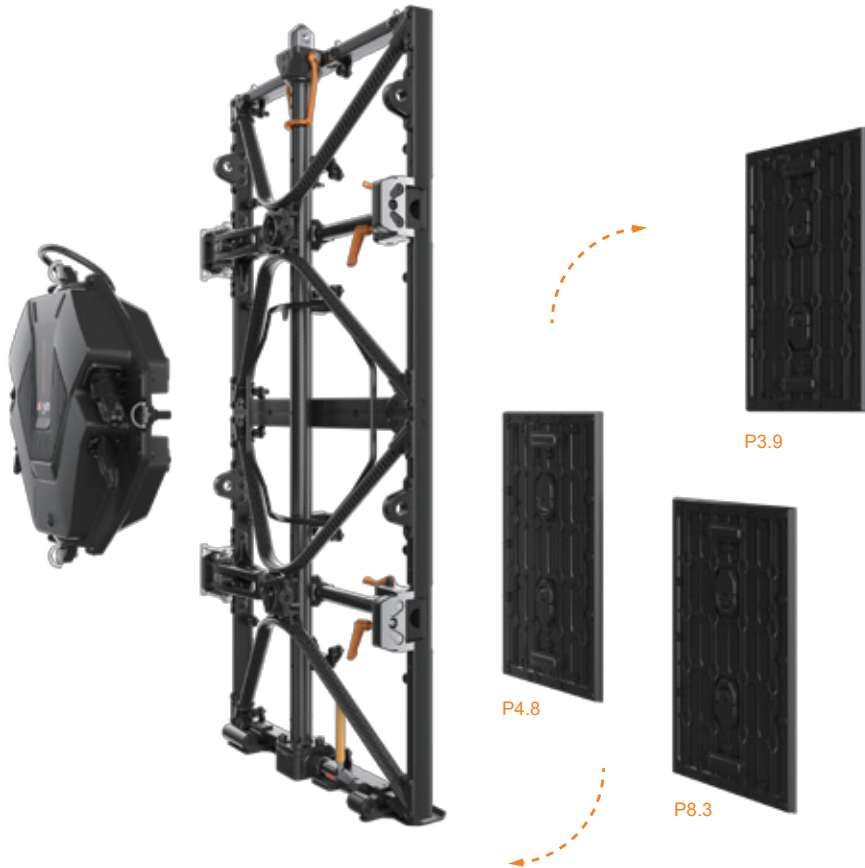




## Module on frame

Without panels, modules can be directly mounted to frame, leading to lighter weight.

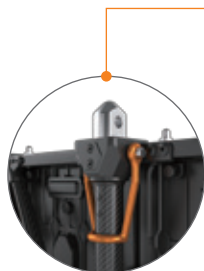
Unique frame adapts to modules of different pixel pitches, allowing for more assembly flexibility.





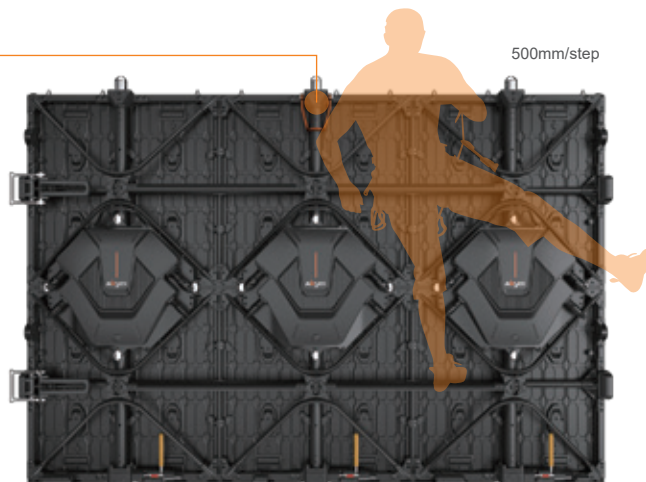
## Climbable structure

Carbon fiber pipes with special anti-slip coatings ensure the safety of climbing.



### Safety hook

Can be attached to the safety rope



## Curve system

500\*1000mm panels support concave and convex curve installations (-10°~+10°).

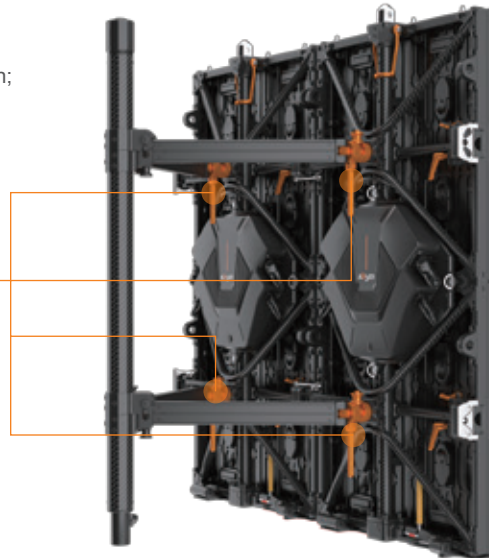
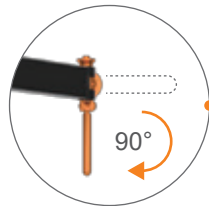






## Wind-resistant design

Easy installation with wind bracing design;  
Just rotate the four handles to complete  
the installation



## 5 in 1 dolly system

The carefully-calculated dolly size allows 2 rows and 3 columns to fit in  
the 40HQ container.

**315m<sup>2</sup> per truck**



# Specification

	<b>VN3.9 Pro</b>	<b>VN4.8 Pro</b>	<b>VN4.8</b>	<b>VN8.3</b>
LED Type	Black SMD1921	Black SMD 1921	White SMD 1921	White SMD1921
Pixel Pitch (mm)	3.9	4.8	4.8	8.3
Panel Dimensions (WxHxD)/(mm)	500*1000/1500*1000			
Pixel Per Panel	128x256	104x208	104x208	60x120
Panel Weight (kg)	16kg / 42kg(with wing bracing)			
Panel Material	Carbon+Die Casting Aluminum			
Module Dimensions (WxH)/(mm)	250*500	250*500	250*500	250*500
Brightness (nit)	4500	4500	5000	5000
Refresh Rate (Hz)	3840	3840	3840	3840
Gray Scale (bit)	16	16	16	16
Contrast Ratio	7000:1	7000:1	5000:1	5000:1
Color Temperature (K)	6500	6500	6500	6500
Viewing Angle (H/V) (°)	140/120	140/120	140/120	140/120
AC Operating Voltage (V)	100~240	100~240	100~240	100~240
IP Rating (Front/Rear)	IP65/IP54	IP65/IP54	IP65/IP54	IP65/IP54
LED Lifetime (H)	100000	100000	100000	100000
Module Maintenance	Front/Rear	Front/Rear	Front/Rear	Front/Rear
PSU & Others Maintenance	Rear	Rear	Rear	Rear
Panel Installation Type	Hanging/Stacking	Hanging/Stacking	Hanging/Stacking	Hanging/Stacking

★ Shenzhen Absen Optoelectronic Co., Ltd. reserves the right to modify product design, specifications, and parameters without further notice.  
Photos are used for illustration purpose only as products may differ from these photos. All rights reserved by Shenzhen Absen Optoelectronic Co., Ltd.



## Absen Optoelectronic Co.,Ltd

18-20F Building 3A, Cloud Park, Bantian Huawei Base,  
Longgang District Shenzhen, 518129, P.R.China  
T: +86-755-89747399 E: absen@absen.com  
F: +86-755-89747599 W: www.absen.com

## Absen Inc.

7120 Lake Ellenor Drive, Orlando,  
Florida 32809, USA  
T: +1-407-203-8870 E: info@usabsen.com  
F: +1-407-203-8873 W: www.usabsen.com

## Absen GmbH

Eisenstraße 5, 65428 Rüsselsheim a.M.,  
Germany  
T: +49 (0) 6142 78935-0 E: europe@absen.com  
F: +49 (0) 6142 78935-29 W: www.absen-europe.com